

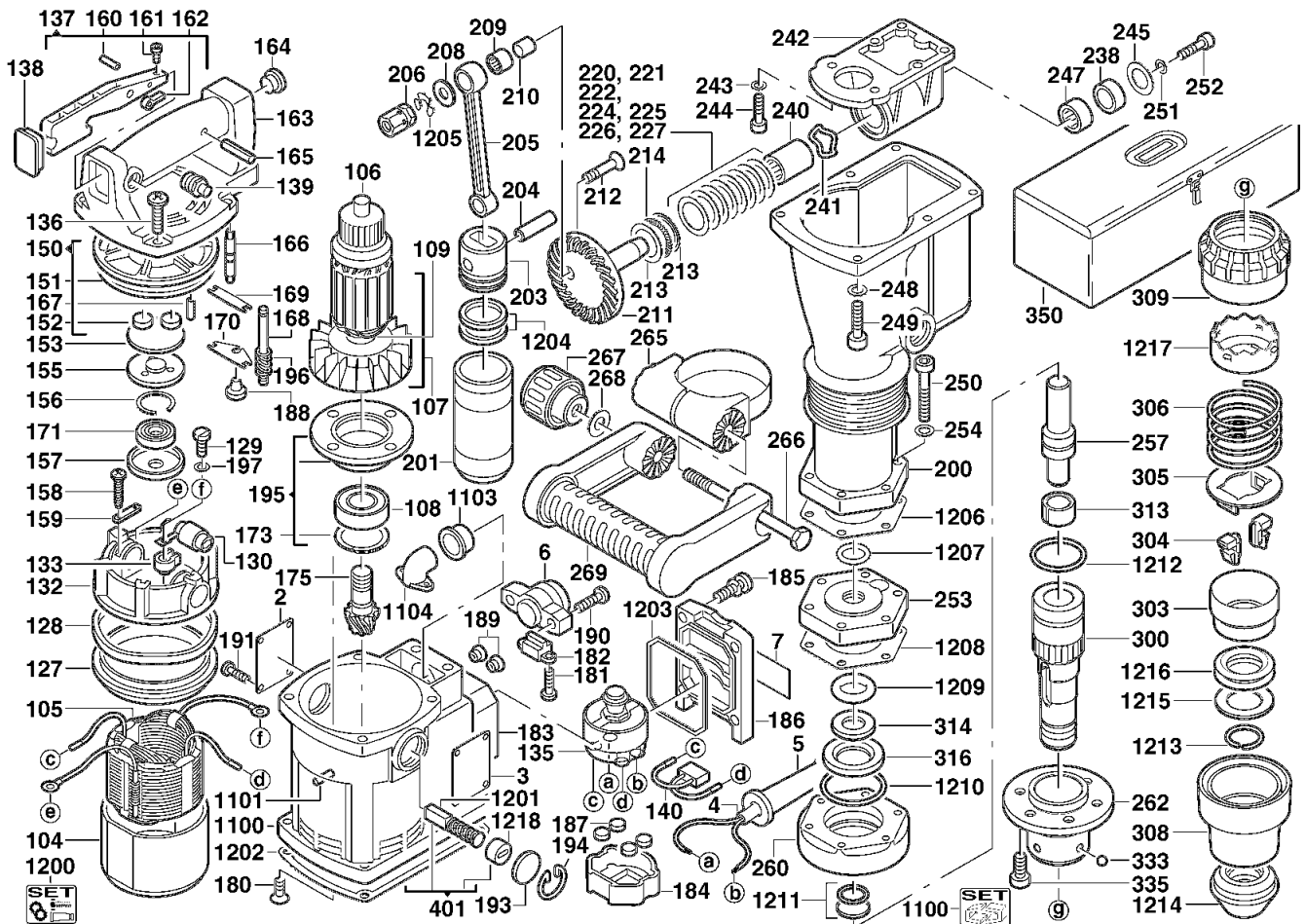
A & M Electric Tools

Ind	Product No.	Type	Voltage	Country
a	4000375095	900MV	230V	IN2
b	4000375100	900MV	240V	GB2
c	4000375098	900MV	110V	GB1
d	4000375099	900MV	240V	AUS
e	4000375101	900MV	120V	USC
f	4000375102	900MV	230V	CH2

Rotary Hammers

Kango
900MV

Exp.view No. Version Date Page
4926 3750 96 0006 13.02.01 1/4



Pos	Index	Quanti	Article No.	Designation	Pos	Index	Quanti	Article No.	Designation
0002	abcd.f.....	1	4931384529	TYPE PLATE	0106	a...f.....	1	9170295910	ARMATURE
0002	...e.....	1	4931384530	TYPE PLATE	0106	.b.d.....	1	9170295920	ARMATURE
0003	a.....	1	9170330840	RATING PLATE	0106	.c.e.....	1	9170295890	ARMATURE
0003	.b.....	1	9170330850	RATING PLATE	0107	abcdef.....	1	4931379024	FAN
0003	.c.....	1	9170330860	RATING PLATE	0108	abcdef.....	1	4931893041	BALL BEARING
0003	...d.....	1	9170330870	RATING PLATE	0109	abcdef.....	2	9170328870	O-RING
0003	...e.....	1	9170330880	RATING PLATE	0127	abcdef.....	1	9170006040	THRUST COLLAR
0003	...f.....	1	9170330890	RATING PLATE	0128	abcdef.....	1	9170020040	SPRING WASHER
0004	a.....	1	9170289800	CONNECTION CABLE	0129	abcdef.....	2	9170019730	SCREW
0004	.b.....	1	9170334140	CONNECTION CABLE	0130	abcdef.....	2	9170003020	BRUSH HOLDER
0004	.c.....	1	9170334130	CONNECTION CABLE	0132	abcdef.....	1	9170003110	BRUSH HOLDER
0004	...d.....	1	4931624328	CONNECTION CABLE	0133	abcdef.....	2	9170003050	HOUSING
0004	...e.....	1	9170287910	CONNECTION CABLE	0135	abcdef.....	1	9170287430	SWITCH
0004	...f.....	1	9170304980	CONNECTION CABLE	0136	abcdef.....	4	9170019390	SCREW
0005	abcdef.....	1	9170040030	CABLE ENTRY SLEEVE	0137	abcdef.....	1	9170002200	SWITCH BUTTON
0006	abcdef.....	1	9170040120	CORD GUARD HOUSIN	0138	abcdef.....	1	9170002100	PLUG
0007	.bcde.....	1	9170060080	CAUTION PLATE	0139	abcd.f.....	1	9170002070	BUTTON
0104	abcdef.....	1	9170006050	MAIN INSULAT.LINE	0139	...e.....	1	9170307620	COVER LID
0105	a...f.....	1	9170296020	ELECTRIC FIELD	0140	abcd.f.....	1	9170202962	CAPACITOR
0105	.b.d.....	1	9170296030	ELECTRIC FIELD	0150	abcdef.....	1	9170001160	END PLATE
0105	.c.....	1	9170296000	ELECTRIC FIELD	0151	abcdef.....	1	9170001230	MOTOR INSUL.PLATE
0105	...e.....	1	9170296010	ELECTRIC FIELD	0152	abcdef.....	2	9170043200	TERMINAL

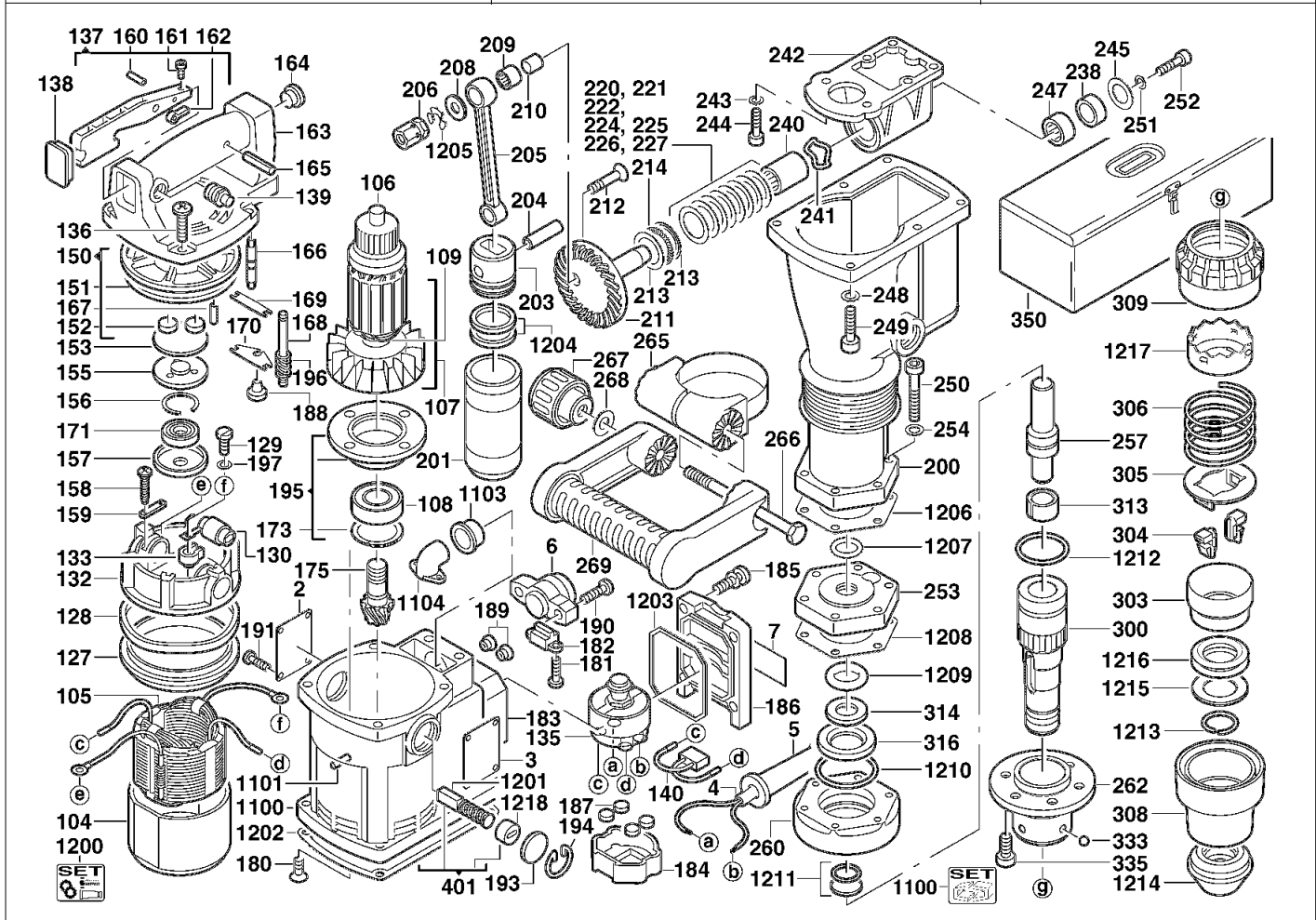
Repairs/modification and testing of electric power tools are to be carried out by specialists. The safety regulations according to DIN/VDE/CEE/AFNOR and other regulations valid in the different countries are to be observed.

A & M Electric Tools

Ind	Product No.	Type	Voltage	Country
a	4000375095	900MV	230V	IN2
b	4000375100	900MV	240V	GB2
c	4000375098	900MV	110V	GB1
d	4000375099	900MV	240V	AUS
e	4000375101	900MV	120V	USC
f	4000375102	900MV	230V	CH2

Rotary Hammers

Exp.view No.	Version	Date	Page
4926 3750 96	0006	13.02.01	2/4



Pos	Index	Quanti	Article No.	Designation	Pos	Index	Quanti	Article No.	Designation
0153	abcdef.....	1	9170001050	WASHER	0182	abcdef.....	1	9170040040	CABLE CLAMP
0155	abcdef.....	1	9170001060	WASHER	0183	abcdef.....	1	9170286050	SWITCH BOX LINER
0156	abcdef.....	1	9170022210	RING	0184	abcdef.....	1	9170286070	SWITCH CUP
0157	abcdef.....	1	9170004030	BEARING COVER	0185	abcdef.....	4	9170069090	LOCK COMPLETE
0158	abcdef.....	4	9170019170	SCREW	0186	abcdef.....	1	9170312740	SWITCH COVER
0159	abcdef.....	2	9170003030	BAND	0187	abcdef.....	4	9170043200	TERMINAL
0160	abcdef.....	1	9170022740	PIN	0188	abcdef.....	1	9170286080	PAD
0161	abcdef.....	1	9170019100	SCREW	0189	abcdef.....	2	9170008520	PLUG
0162	abcdef.....	1	9170002160	PLATE	0190	abcdef.....	2	9170019080	SCREW
0163	abcdef.....	1	9170330240	HANDLE	0191	abcdef.....	8	9170019150	SCREW
0164	abcdef.....	1	9170002110	PLUG	0193	abcdef.....	2	9170003070	BRUSH HOLDER CAP
0165	abcdef.....	1	9170022730	PIN	0194	abcdef.....	2	9170022020	PROTECTION WASHER
0166	abcdef.....	1	9170002210	RAM	0195	abcdef.....	1	9170333510	BEARING COVER
0167	abcdef.....	1	9170022230	PIN	0196	abcdef.....	2	9170287440	SPRING
0168	abcdef.....	2	9170286090	BAR	0197	abcdef.....	2	9170019270	WASHER
0169	abcdef.....	1	9170002050	PLUNGER ABUTM.PLAT	0200	abcd.f.....	1	9170318920	SERVICE KIT
0170	abcdef.....	1	9170286100	PLATE	0200e.....	1	9170318820	SERVICE TOOL
0171	abcdef.....	1	9170021010	BEARING	0201	abcdef.....	1	9170012940	PERCUSSION BODY
0173	abcdef.....	1	9170334170	PROTECTION WASHER	0203	abcdef.....	1	9170289670	PISTON
0175	abcdef.....	1	9170007050	PINION	0204	abcdef.....	1	9170012920	BOLT
0180	abcdef.....	2	9170019110	SCREW	0205	abcdef.....	1	9170012070	CONNECTING ROD
0181	abcdef.....	2	9170019760	SCREW	0206	abcdef.....	1	9170019830	NUT

Repairs/modification and testing of electric power tools are to be carried out by specialists. The safety regulations according to DIN/VDE/CEE/AFNOR and other regulations valid in the different countries are to be observed.

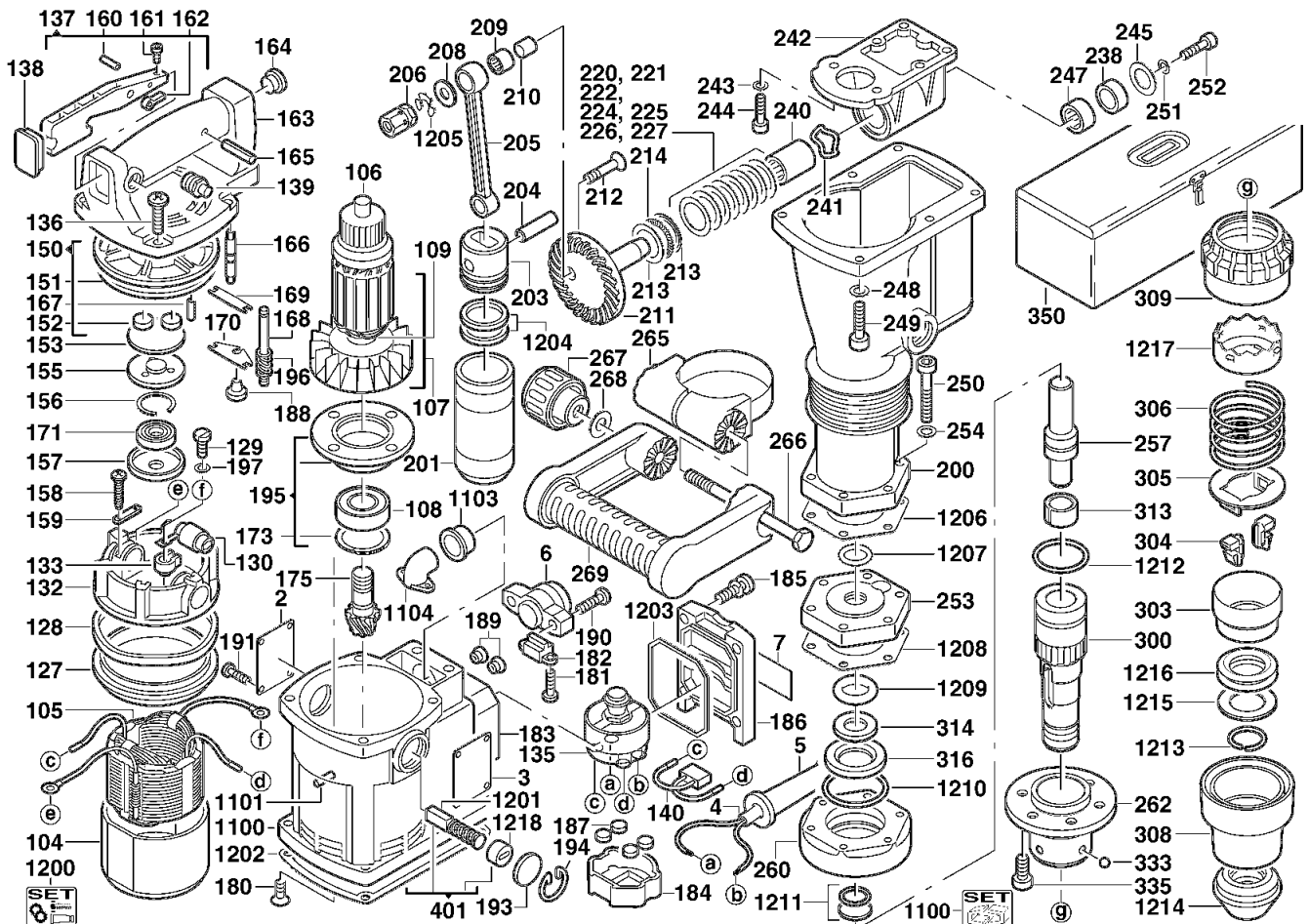
A & M Electric Tools

Ind	Product No.	Type	Voltage	Country
a	4000375095	900MV	230V	IN2
b	4000375100	900MV	240V	GB2
c	4000375098	900MV	110V	GB1
d	4000375099	900MV	240V	AUS
e	4000375101	900MV	120V	USC
f	4000375102	900MV	230V	CH2

Rotary Hammers

Kango
900MV

Exp.view No. Version Date Page
4926 3750 96 0006 13.02.01 3/4



Pos	Index	Quanti	Article No.	Designation	Pos	Index	Quanti	Article No.	Designation
0208	abcdef.....	1	9170012080	WASHER	0248	abcdef.....	6	9170330190	SPRING WASHER
0209	abcdef.....	1	9170021200	NEEDLE BUSH	0249	abcdef.....	6	9170019670	SCREW
0210	abcdef.....	1	9170012010	PIN	0250	abcdef.....	6	9170019420	SCREW
0211	abcdef.....	1	9170331220	BEVEL GEAR	0251	abcdef.....	1	9170019090	SPRING WASHER
0212	abcdef.....	1	9170019400	SCREW	0252	abcdef.....	1	9170019060	SCREW
0213	abcdef.....	2	9170021190	WASHER	0253	abcd.f.....	1	4931374997	BODY
0214	abcdef.....	1	9170021050	NEEDLE CAGE	0253	...e.....	1	4931374986	HOUSING GUIDE
0220	abcdef.....	1	9170022070	CRANK DISC	0254	abcdef.....	6	9170330190	SPRING WASHER
0221	abcdef.....	1	9170022080	CRANK DISC	0257	abcdef.....	1	9170350276	SNAP DIE
0222	abcdef.....	1	9170022090	CRANK DISC	0260	abcdef.....	1	9170350284	HOUSING
0224	abcdef.....	1	9170022110	CRANK DISC	0262	abcdef.....	1	9170350277	ADAPTER SLEEVE
0225	abcdef.....	1	9170022340	CRANK DISC	0265	abcdef.....	1	9170292620	STRAP CASTING
0226	abcdef.....	1	9170022350	CRANK DISC	0266	abcdef.....	1	9170293890	THREADED BOLT
0227	abcdef.....	1	9170022360	CRANK DISC	0267	abcdef.....	1	9170292670	TURNING KNOB
0238	abcdef.....	1	9170011980	BEARING CAGE	0268	abcdef.....	1	9170293930	WASHER
0240	abcdef.....	1	9170021220	NEEDLE BUSH	0269	abcdef.....	1	9170311140	HANDLE
0241	abcdef.....	1	4931384538	JUNK RING	0300	abcdef.....	1	9170350269	TOOL ACCEPTANCE
0242	abcdef.....	1	4931379000	GEAR CARRIER	0303	abcdef.....	1	4931384854	SLEEVE
0243	abcdef.....	6	9170019090	SPRING WASHER	0304	abcdef.....	2	9170350257	LATCH
0244	abcdef.....	6	9170019060	SCREW	0305	abcdef.....	1	9170324210	LATCH PLATE
0245	abcdef.....	1	4931622131	DISC	0306	abcdef.....	1	9170350273	PRESSURE SPRING
0247	abcdef.....	1	9170021210	NEEDLE BUSH	0308	abcdef.....	1	9170350258	SLEEVE

Repairs/modification and testing of electric power tools are to be carried out by specialists. The safety regulations according to DIN/VDE/CEE/AFNOR and other regulations valid in the different countries are to be observed.

A & M Electric Tools

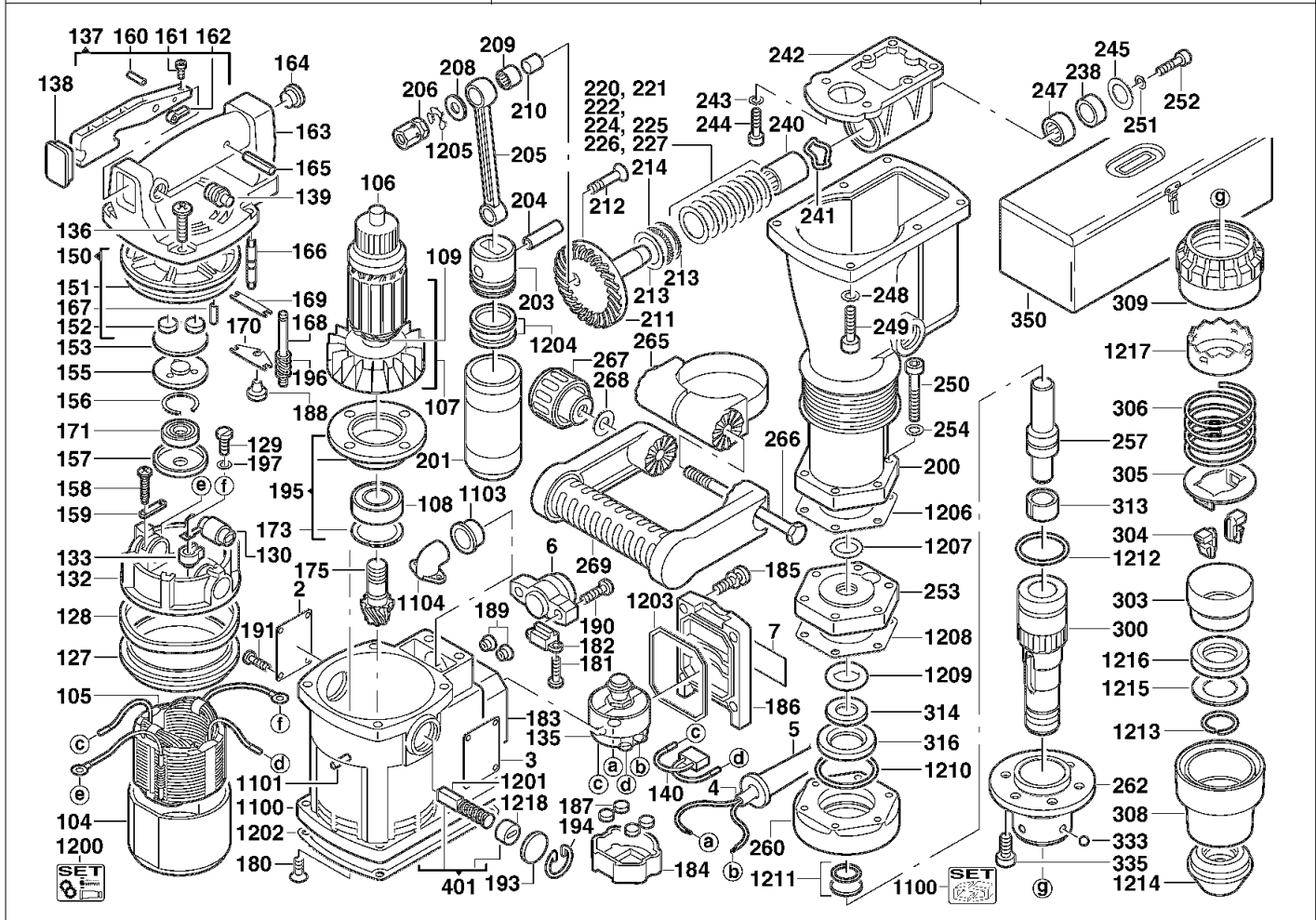
Rotary Hammers

Ind	Product No.	Type	Voltage	Country
a	4000375095	900MV	230V	IN2
b	4000375100	900MV	240V	GB2
c	4000375098	900MV	110V	GB1
d	4000375099	900MV	240V	AUS
e	4000375101	900MV	120V	USC
f	4000375102	900MV	230V	CH2

Ind	Product No.	Type	Voltage	Country

Kango
900MV

Exp.view No. Version Date Page
4926 3750 96 0006 13.02.01 4/4



Pos	Index	Quanti	Article No.	Designation
0309	abcdef.....	1	9170350270	LOCK
0313	abcdef.....	1	9170350271	JUNK RING
0314	abcdef.....	1	9170350285	RING
0316	abcdef.....	1	9170350309	JUNK RING
0333	abcdef.....	4	9170350391	BALL
0335	abcdef.....	6	9170707003	SCREW
0350	abcd.f.....	1	4931374296	CARRYING CASE
0350e.....	1	4931379928	CARRYING CASE
0401	abcdef.....	1	9170334860	CARBON BRUSH SET
1100	abcd.f.....	1	9170330320	CASING
1100e.....	1	9170312730	MOTOR HOUSING
1101	abcdef.....	1	9170022240	PIN
1103	abcdef.....	1	9170040130	INSULATING BUSH
1104	abcdef.....	1	9170009170	PLUG
1200	abcdef.....	1	9170324990	MAINTENANCE SET
1201	abcdef.....	2	9170334860	CARBON BRUSH SET
1202	abcdef.....	1	9170022250	SEAL
1203	abcdef.....	1	9170008630	SWITCH SEAL
1204	abcdef.....	2	9170022819	PISTONRING
1205	abcdef.....	1	9170022780	PROTECTION WASHER
1206	abcdef.....	1	9170313810	GASKET
1207	abcdef.....	1	9170022410	RING

Pos	Index	Quanti	Article No.	Designation
1208	abcdef.....	1	9170313800	GASKET
1209	abcdef.....	1	9170015940	RUBBER RING
1210	abcdef.....	1	9170350311	O-RING
1211	abcdef.....	1	9170293770	GASKET
1212	abcdef.....	1	9170324250	O-RING
1213	abcdef.....	1	9170319040	SPRING RING
1214	abcdef.....	1	9170350243	END COVER CAP
1215	abcdef.....	1	4931374974	DAMPING ELEMENT
1216	abcdef.....	1	4931375775	DAMPING RING
1217	abcdef.....	1	9170350272	HOLDING DEVICE
1218	abcdef.....	2	9170003060	BRUSH HOLDER CAP

Repairs/modification and testing of electric power tools are to be carried out by specialists. The safety regulations according to DIN/VDE/CEE/AFNOR and other regulations valid in the different countries are to be observed.